

# Panasonic

# LUMIX S5IIx

Owner's Manual  
<Quick Start Guide>  
Digital Camera  
DC-S5M2X

Please read these instructions carefully before using this product, and save this manual for future use.

Refer to "Owner's Manual <Complete Guide>" (HTML format/  
PDF format) for details about how to use the camera and  
notes on use.  
<https://panasonic.jp/support/dsc/oi/S5M2X/index.html>



**U.S. customers only**  
**Register online at <http://shop.panasonic.com/support/register>**  
**to receive these benefits:**

- ✓ Safety Notification
- ✓ Owner Verification
- ✓ Efficient Warranty Service
- ✓ Special Offers and Promotions from Panasonic



If you have any questions, visit  
USA : <http://shop.panasonic.com/support>

Panasonic Corporation of North America

Two Riverfront Plaza, Newark, NJ 07102-5490  
<http://shop.panasonic.com>

© Panasonic Entertainment & Communication Co., Ltd. 2023

DVQX2376ZA  
F0323NT0

Printed in China

Dear Customer,

**Thank you for choosing Panasonic!**

You have purchased one of the most sophisticated and reliable products on the market today. Used properly, we're sure it will bring you and your family years of enjoyment. Please take time to fill in the information below. The serial number is on the tag located on the underside of your camera. Be sure to **retain this manual** as your convenient camera information source.

Date of Purchase	Dealer Phone No.
Dealer Purchased From	Model No.
Dealer Address	Serial No.

Please note that the actual controls and components, menu items, etc. of your Digital Camera may look somewhat different from those shown in the illustrations in this Owner's Manual.

## Information for Your Safety

**WARNING:**  
**To reduce the risk of fire, electric shock or product damage,**

- Do not expose this unit to rain, moisture, dripping or splashing.
- Use the recommended accessories.
- Do not remove covers.
- Do not repair this unit by yourself. Refer servicing to qualified service personnel.

The socket outlet shall be installed near the equipment and shall be easily accessible.

### Product identification marking

Product	Location
Digital camera	Bottom

### THE FOLLOWING APPLIES ONLY IN THE U.S.A.

**FCC Note:**  
This equipment has been tested and found to comply with the limits for a Class B digital device, pursuant to Part 15 of the FCC Rules. These limits are designed to provide reasonable protection against harmful interference in a residential installation. This equipment generates, uses, and can radiate radio frequency energy and, if not installed and used in accordance with the instructions, may cause harmful interference to radio communications. However, there is no guarantee that interference will not occur in a particular installation. If this equipment does cause harmful interference to radio or television reception, which can be determined by turning the equipment off and on, the user is encouraged to try to correct the interference by one or more of the following measures:

- Reorient or relocate the receiving antenna.
- Increase the separation between the equipment and receiver.
- Connect the equipment into an outlet on a circuit different from that to which the receiver is connected.
- Consult the dealer or an experienced radio/TV technician for help.

**FCC Caution:**

- Any unauthorized changes or modifications to this equipment would void the user's authority to operate this device.
- To assure continued compliance, follow the attached installation instructions and use only shielded interface cables with ferrite core when connecting to computer or peripheral devices.

This device complies with Part 15 of the FCC Rules. Operation is subject to the following two conditions: (1) This device may not cause harmful interference, and (2) this device must accept any interference received, including interference that may cause undesired operation.

Supplier's Declaration of Conformity  
Trade Name: Panasonic  
Model No.: DC-S5M2X  
Responsible Party: Panasonic Corporation of North America  
Two Riverfront Plaza, Newark, NJ 07102-5490  
Support Contact: <http://shop.panasonic.com/support>

### THE FOLLOWING APPLIES ONLY IN THE U.S.A.

**How to Display Certification and Compliance Information**  
Certification and compliance information for this camera can be viewed on the menu screen.

- 1 Select the [Others] tab of the [Setup] menu.
- 2 Select [Approved Regulations] and confirm your selection.

Contains FCC ID: VPYLBEE5ZZ1PJ

This transmitter must not be co-located or operated in conjunction with any other antenna or transmitter.

This equipment complies with FCC radiation exposure limits set forth for an uncontrolled environment and meets the FCC radio frequency (RF) Exposure Guidelines as this equipment has very low levels of RF energy.

Compliance with FCC requirement 15.407(c)  
Data transmission is always initiated by software, which is the passed down through the MAC, through the digital and analog baseband, and finally to the RF chip. Several special packets are initiated by the MAC. These are the only ways the digital baseband portion will turn on the RF transmitter, which it then turns off at the end of the packet. Therefore, the transmitter will be on only while one of the aforementioned packets is being transmitted. In other words, this device automatically discontinues transmission in case of either absence of information to transmit or operational failure.

Frequency Tolerance: ± 20ppm

### About the battery pack

**CAUTION**  
Battery pack (Lithium ion battery pack)

- Use the specified unit to recharge the battery pack.
- Do not use the battery pack with equipment other than the specified unit.
- Do not get dirt, sand, liquids, or other foreign matter on the terminals.
- Do not touch the plug terminals (+ and -) with metal objects.
- Do not disassemble, remodel, heat or throw into fire.

If any electrolyte should come into contact with your hands or clothes, wash it off thoroughly with water.  
If any electrolyte should come into contact with your eyes, never rub the eyes. Rinse eyes thoroughly with water, and then consult a doctor.

**CAUTION**

- Danger of explosion if battery is incorrectly replaced. Replace only with the type recommended by the manufacturer.
- When disposing of the batteries, please contact your local authorities or dealer and ask for the correct method of disposal.

- Do not heat or expose to flame.
- Do not leave the battery(ies) in a car exposed to direct sunlight for a long period of time with doors and windows closed.
- Do not expose to low air pressure at high altitudes.
- Do not expose to extremely low air pressure, as this may result in explosions or leakage of flammable liquids and gases.

**Warning**  
Risk of fire, explosion and burns. Do not disassemble, heat above 60 °C (140 °F) or incinerate.

### About the AC adaptor (supplied)

**CAUTION!**  
**To reduce the risk of fire, electric shock or product damage,**

- Do not install or place this unit in a bookcase, built-in cabinet or in another confined space. Ensure this unit is well ventilated.

**AC adaptor**  
This AC adaptor operates on AC between 110 V and 240 V.  
But

- In the U.S.A. and Canada, the AC adaptor must be connected to a 120 V AC power supply only.
- When connecting to an AC supply outside of the U.S.A. or Canada, use a plug adaptor to suit the AC outlet configuration.

- Do not use any other USB connection cables except the one supplied with the camera or the Battery Charger (DMW-BTC15: optional).
- Always use a genuine Panasonic Shutter Remote Control (DMW-RS2: optional).
- Always use a genuine Panasonic Tripod Grip (DMW-SHGR1: optional).
- Use a Premium High Speed HDMI cable (Type A–Type A plug, up to 1.5 m (4.9 feet) long).
- Do not use the headphone cables with the length of 3 m (9.8 feet) or more.
- Do not use the stereo microphone cables with the length of 3 m (9.8 feet) or more.

- Keep the hot shoe cover out of reach of children to prevent swallowing.
- Keep the cover for the battery grip connector out of reach of children to prevent swallowing.
- Keep the memory card out of reach of children to prevent swallowing.
- Excessive sound pressure from earphones and headphones can cause hearing loss.
- When using an AC adaptor, ensure that the Panasonic DC Coupler (DMW-DCC17: optional) and AC Adaptor (DMW-AC10PP: optional) are used.
- Always use a genuine Panasonic AC Adaptor (DMW-AC10PP: optional).

## Standard Accessories

Product numbers correct as of April 2023.

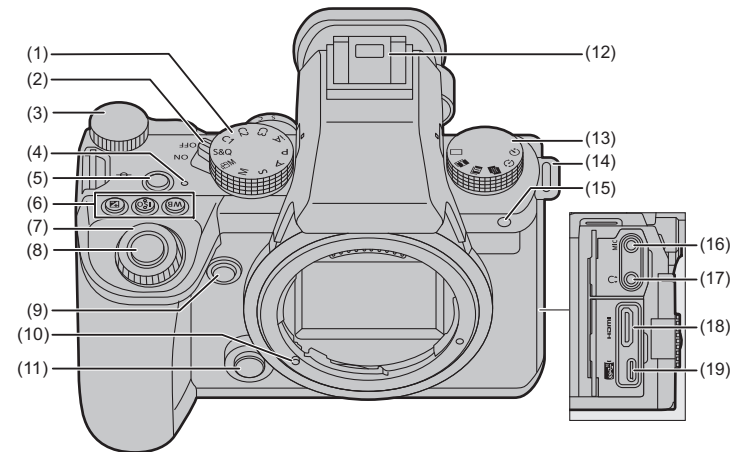
Digital camera body	
<b>Battery pack</b> DMW-BLK22	<b>Body cap</b> <sup>*1</sup> 1HE1MC891Z
<b>AC adaptor</b> VSK0815F	<b>Hot shoe cover</b> <sup>*1</sup> DVYE1121Z
<b>USB connection cable</b> K1HY24Y0026	<b>Cover for the battery grip connector</b> <sup>*1</sup> SKF0145K
<b>Shoulder strap</b> DVPW1031Z	

Interchangeable lens "LUMIX S 20-60mm F3.5-5.6"	Interchangeable lens "LUMIX S 50mm F1.8"
S-R2060	S-S50
<b>Lens hood</b> 1ZE4SR2060Z	<b>Lens hood</b> 1ZE2SS50Z
<b>Lens cap</b> <sup>*4</sup> CGE1Z293Z	<b>Lens rear cap</b> <sup>*4</sup> RGE1Z276Z

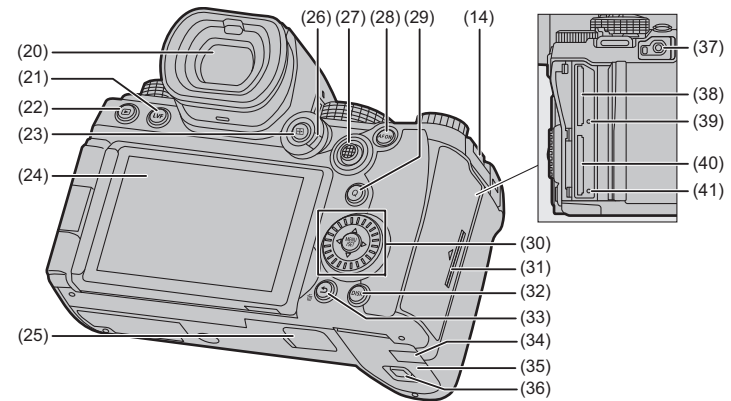
- \*1 This is attached to the camera at the time of purchase.
- \*2 This is supplied with Lens Kit DC-S5M2XK.
- \*3 This is supplied with Double Lens Kit DC-S5M2XW.
- \*4 This is attached to the lens at the time of purchase.
- \*5 This is supplied with Lens Kit DC-S5M2XC.

- If accessories are lost, customers can visit us at <http://shop.panasonic.com/support> for further information about obtaining replacement parts.
- To order optional accessories please visit <http://shop.panasonic.com> or your local Photo Specialty Dealer.

## Names of Important Parts



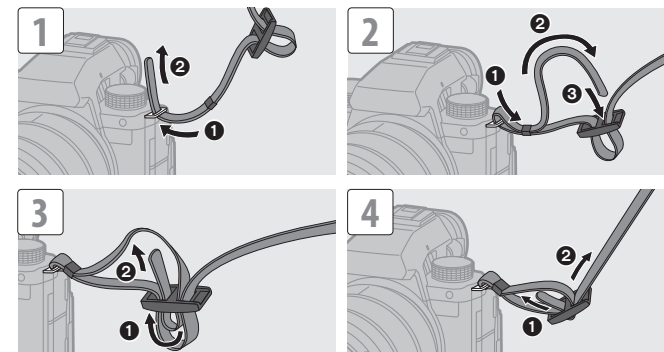
- (1) Mode dial
- (2) Camera on/off switch
- (3) Rear dial
- (4) Charging light/Network connection light
- (5) Video rec. button
- (6) [WB] (White balance) button
- (7) [ISO] (ISO sensitivity) button
- (8) Shutter button
- (9) Preview button
- (10) Lens lock pin (Lens fitting mark)
- (11) Lens release button
- (12) Hot shoe (hot shoe cover)
- (13) Drive mode dial
- (14) Shoulder strap eyelet
- (15) Self-timer light/AF assist light
- (16) [MIC] socket
- (17) Headphone socket
- (18) HDMI socket
- (19) USB port



- (20) Viewfinder
- (21) [LVF] button
- (22) [▶] (Playback) button
- (23) [ ] (AF mode) button
- (24) Monitor/Touch screen
- (25) Battery grip connector (cover for the battery grip connector)
- (26) Focus mode lever
- (27) Joystick
- (28) [AF ON] button
- (29) [Q] (Quick menu) button
- (30) Control dial ( )
- (31) Card door
- (32) [DISP.] button
- (33) [ ] (Cancel) button/ [ ] (Delete) button
- (34) DC coupler cover
- (35) Battery door
- (36) Battery door release lever
- (37) [REMOTE] socket
- (38) Card slot 1
- (39) Card access light 1
- (40) Card slot 2
- (41) Card access light 2

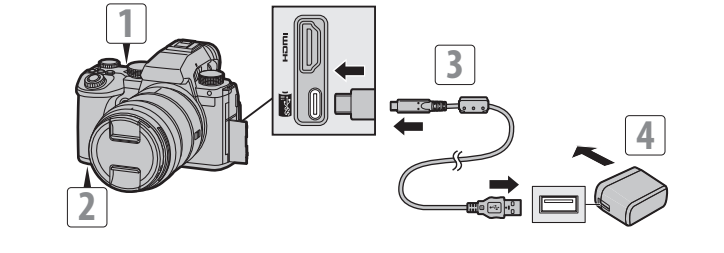
## Attaching a Shoulder Strap

Attach a shoulder strap to the camera with the following procedure to prevent it from dropping.



## Charging the Battery

- 1 Set the camera on/off switch to [OFF].
  - 2 Insert the battery into the camera.
  - 3 Connect the camera USB port and the AC adaptor using the USB connection cable.
  - 4 Connect the AC adaptor to an electrical outlet.
- The charging light turns red and charging begins. The charging light turns off when charging is complete.



Charging time	Approx. 220 min
---------------	-----------------

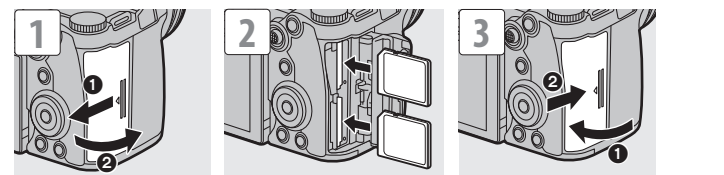
- Using the camera body and the supplied AC adaptor.

- The battery that can be used with the camera is DMW-BLK22. (As of April 2023)
- **Always use genuine Panasonic batteries (DMW-BLK22).**
- **If you use other batteries, we cannot guarantee the quality of this product.**
- **For charging, use this camera or the Battery Charger (DMW-BTC15: optional) and the items supplied with them.**
- Do not use any other AC adaptors except the one supplied with the camera or the Battery Charger (DMW-BTC15: optional).
- Even when the camera on/off switch is set to [OFF] thus turning the camera off, it consumes power. When the camera will not be used for a long time, remove the power plug from the electrical outlet in order to save power.

## Inserting Cards (Optional)

You can use SD memory cards with this camera.

- **For information on memory cards with confirmed operation, check the following support site:**  
<https://panasonic.jp/support/global/cs/dsc/connect/index.html>  
(English only)



- Match the orientation of the cards as shown in the figure and then insert them firmly until they click.
- To remove a card, confirm that the corresponding card access light has turned off, push the card until it clicks, then pull the card out straight.
- Format the cards with the camera before use.  
[MENU] ⇒ [ ] ⇒ [ ] ⇒ Select [Card Format]

